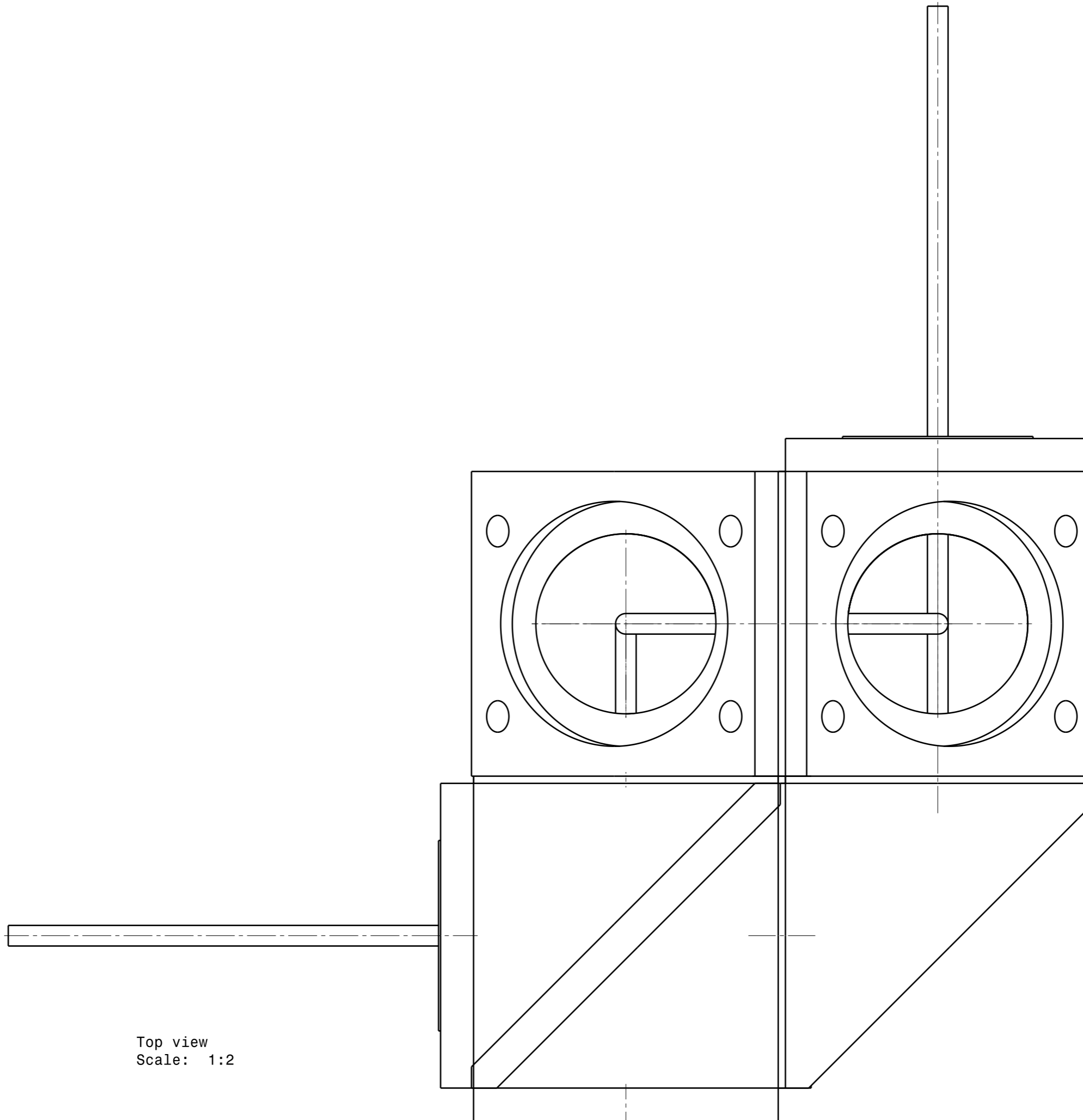
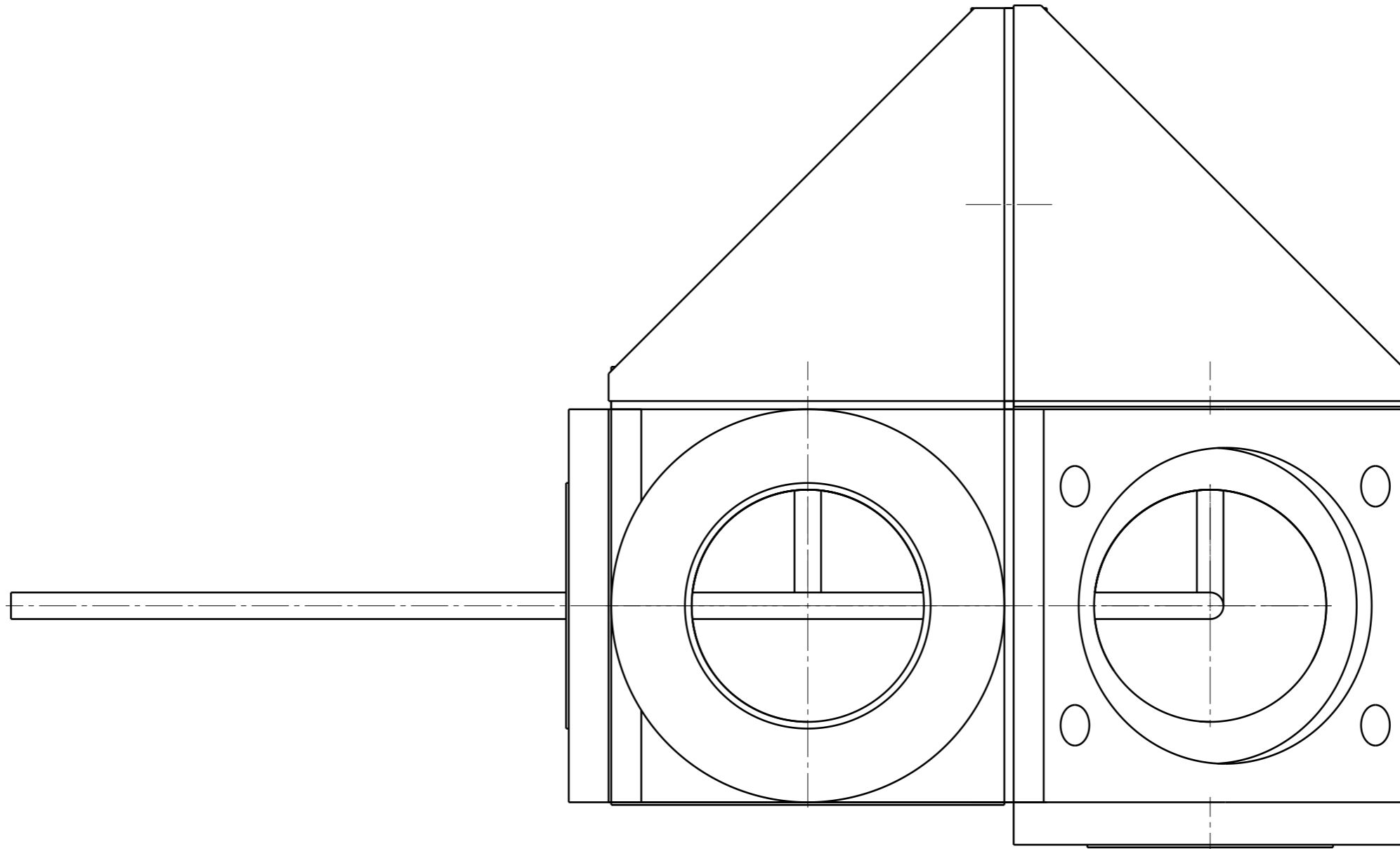


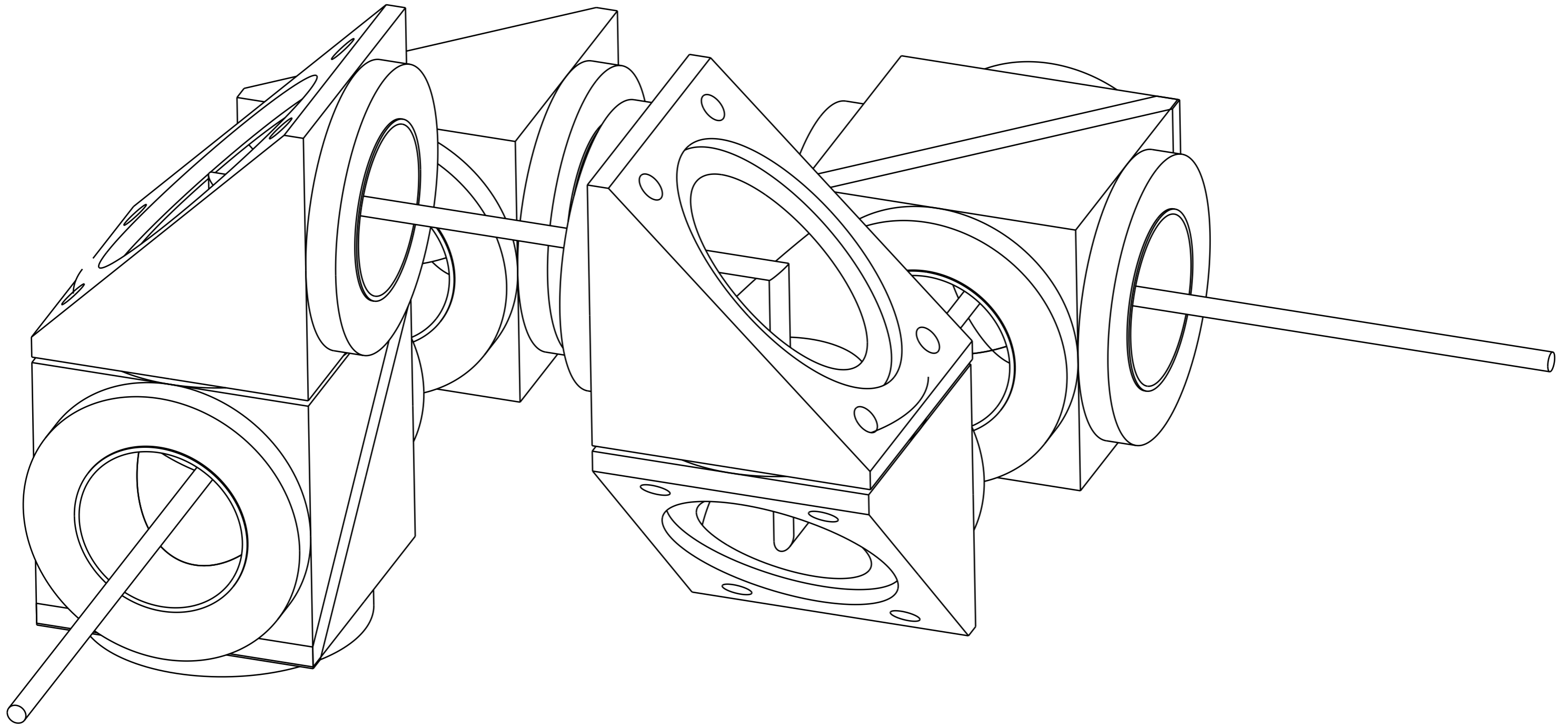
Right view
Scale: 1:2



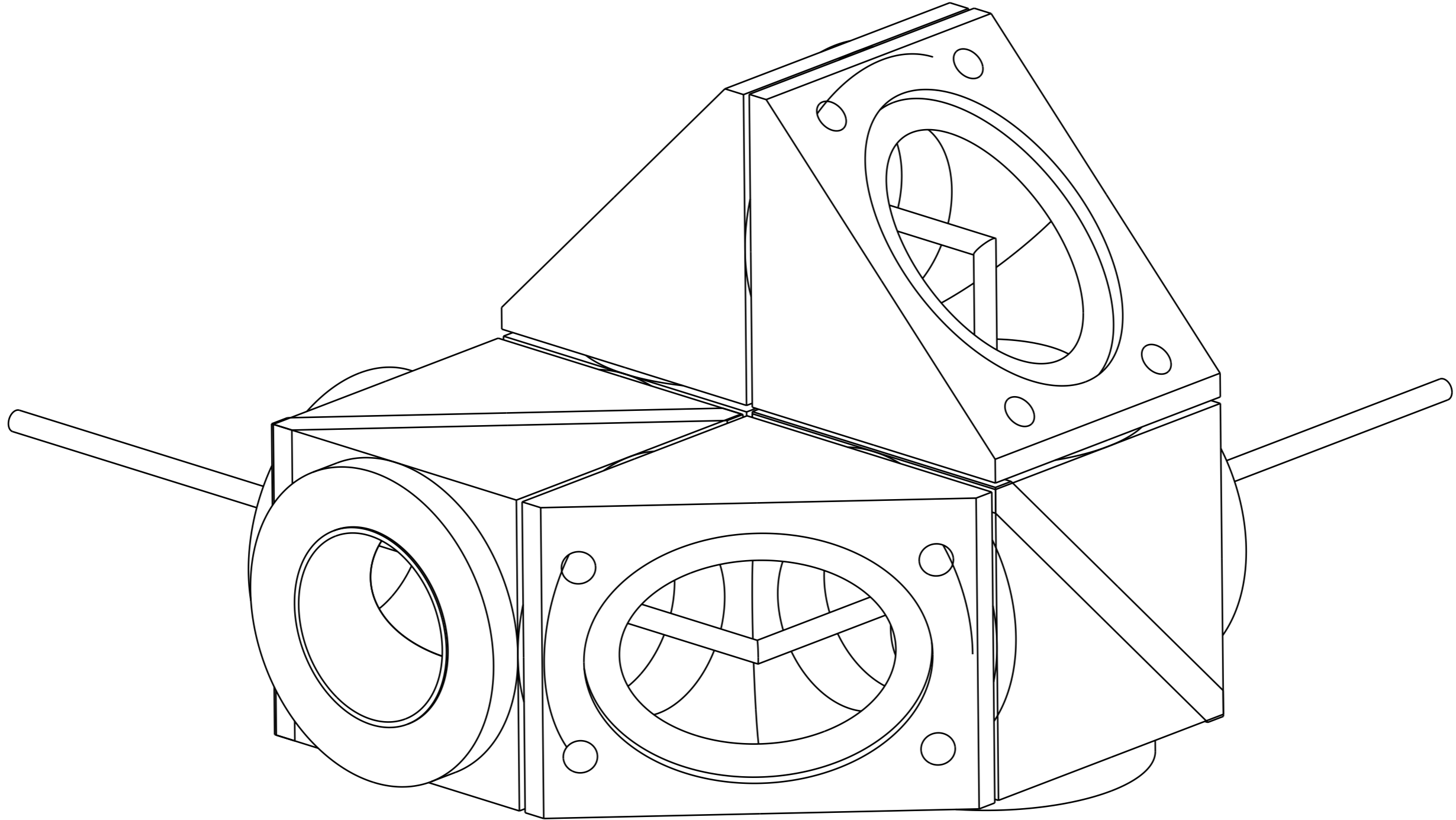
Top view
Scale: 1:2



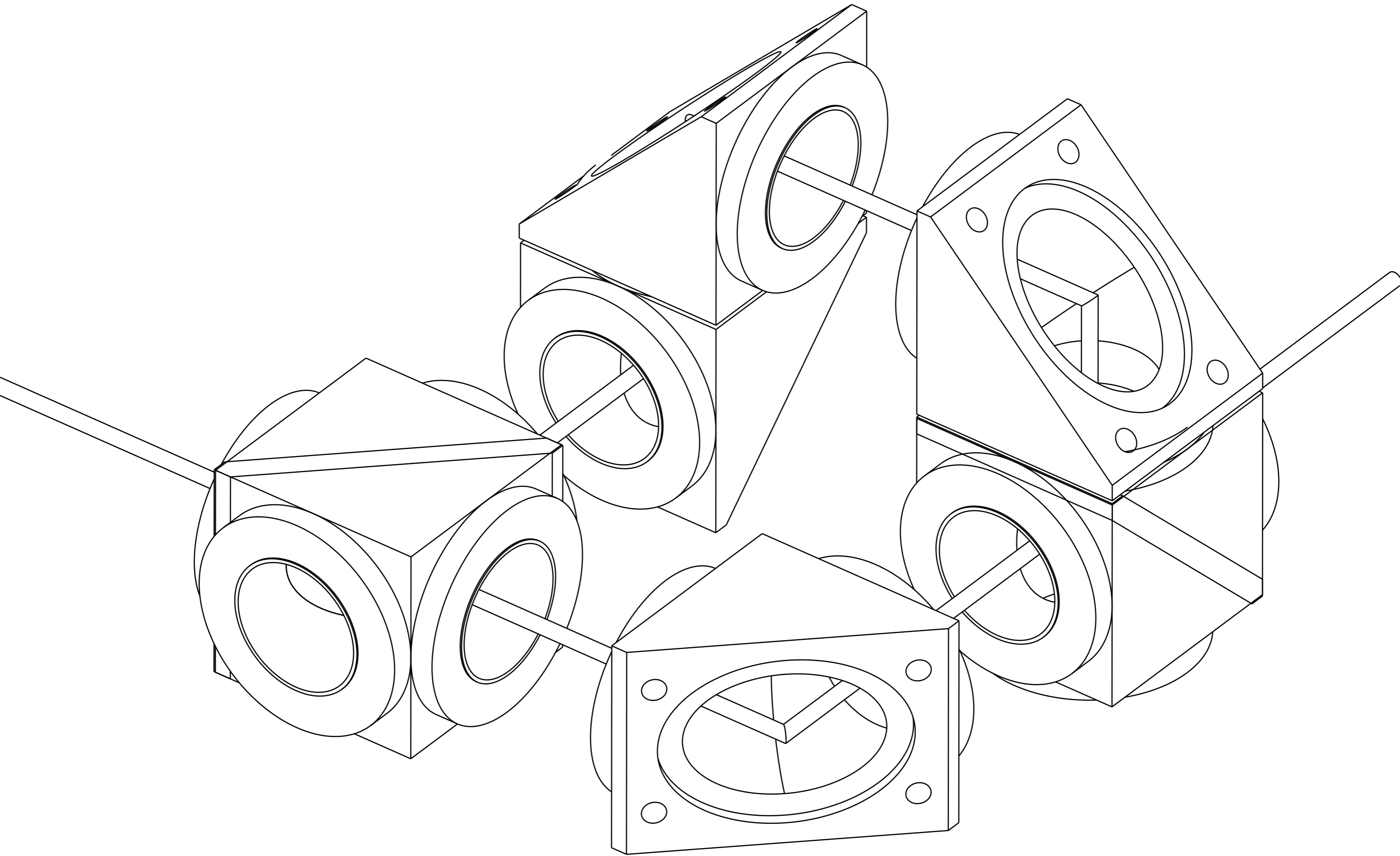
Front view
Scale: 1:2



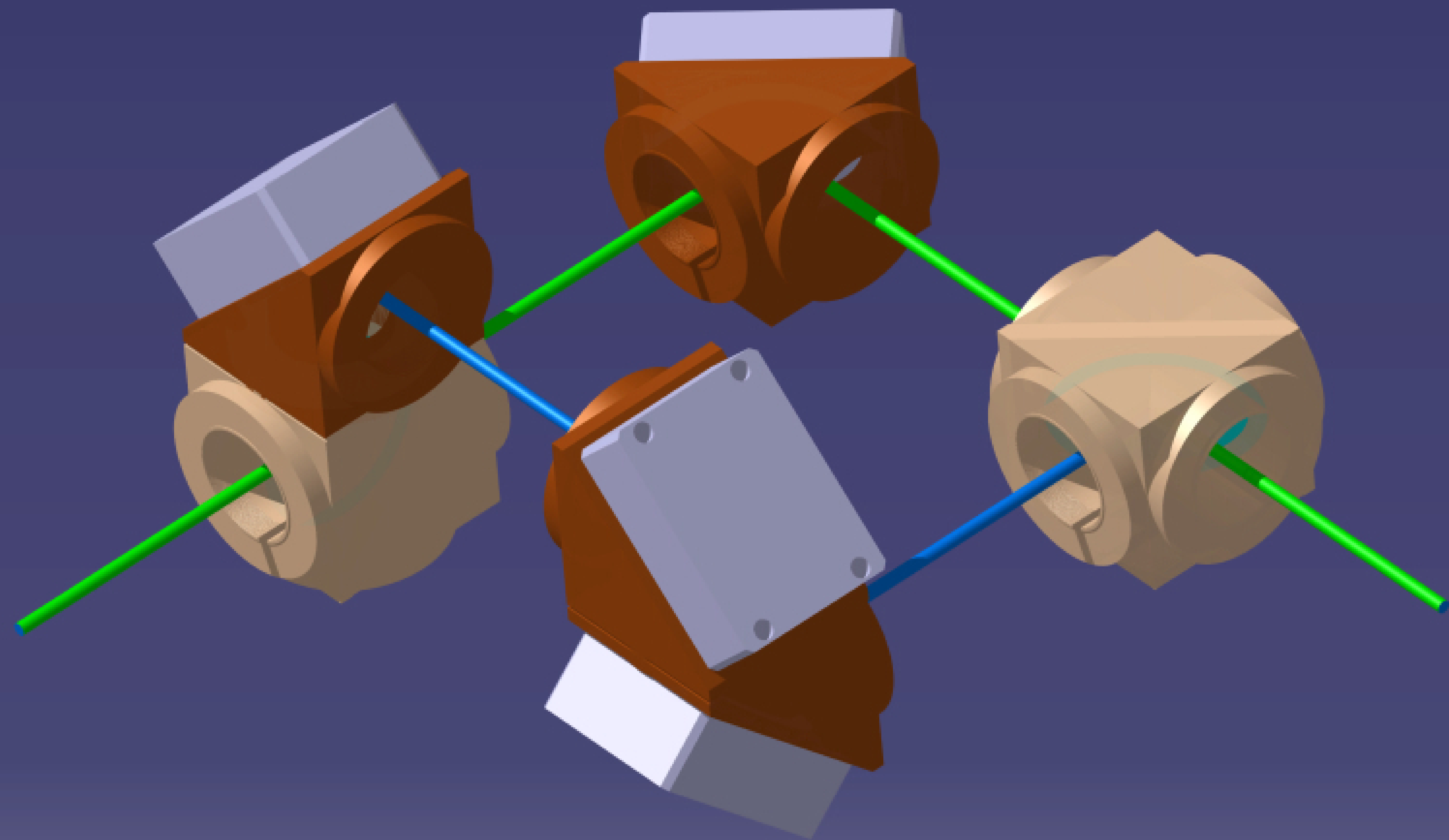
Isometric view[3]
Scale: 1:2

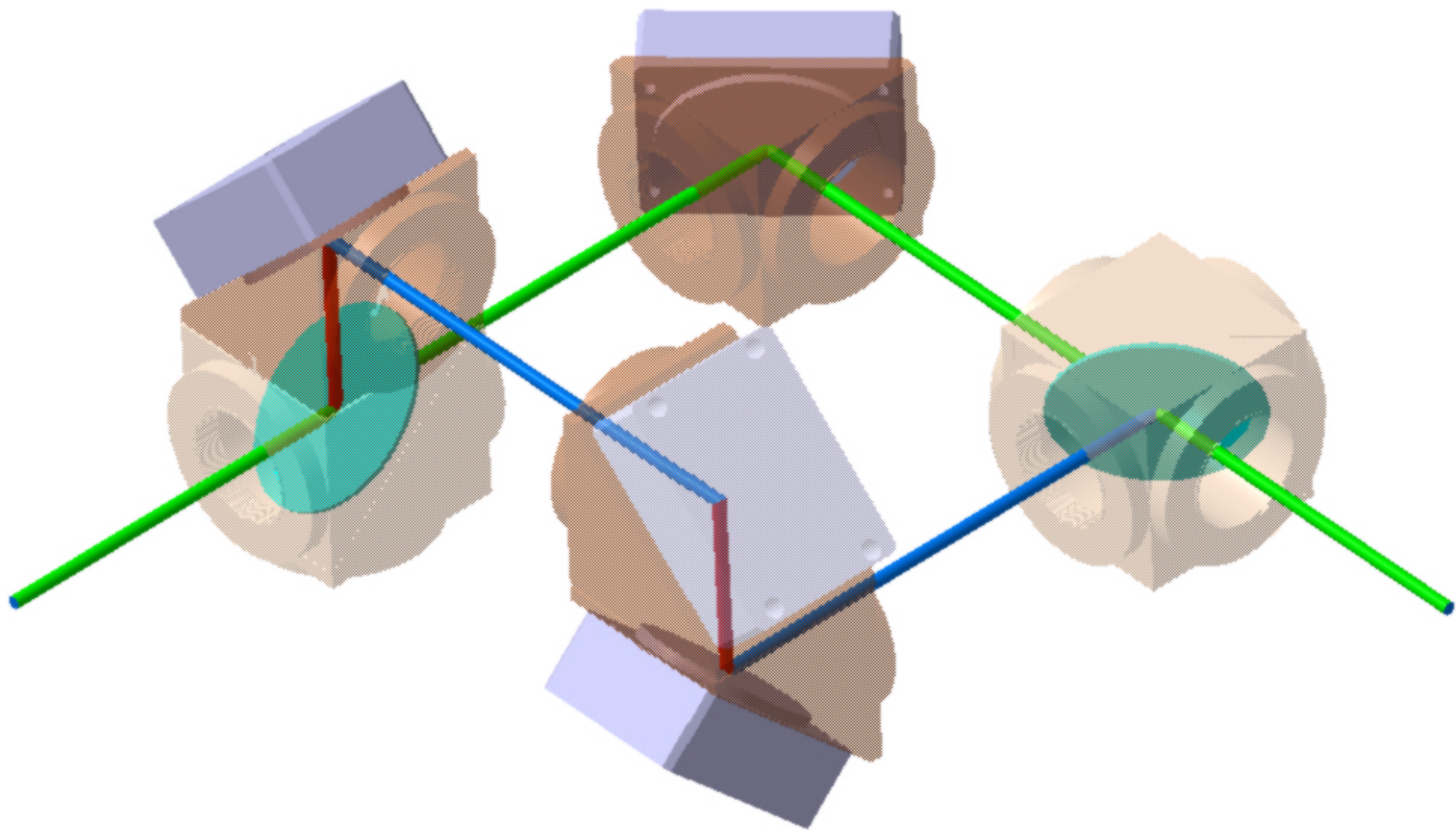


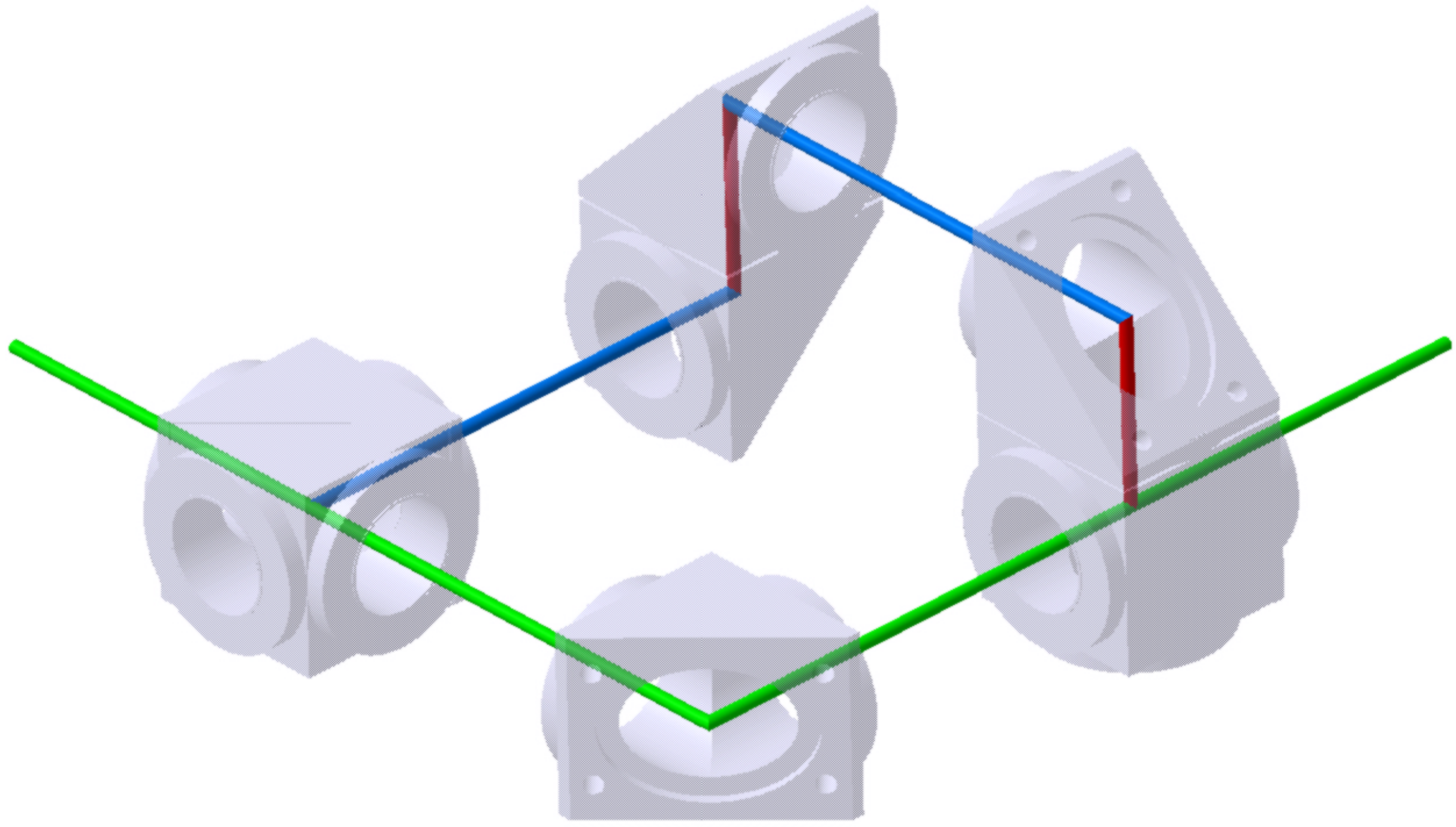
Isometric view[4]
Scale: 1:2

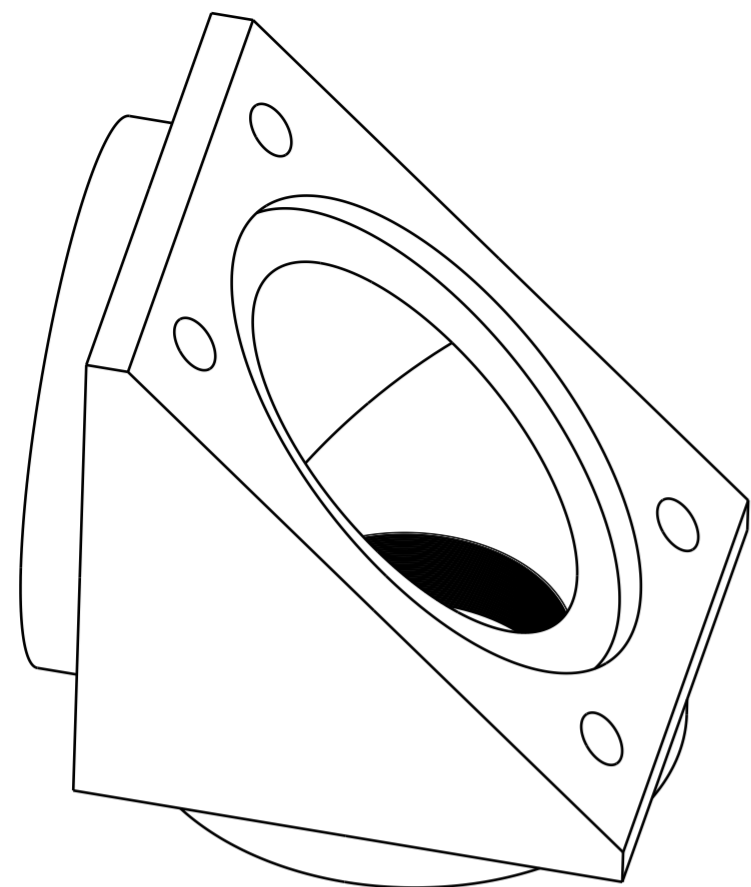


Isometric view
Scale: 1:2

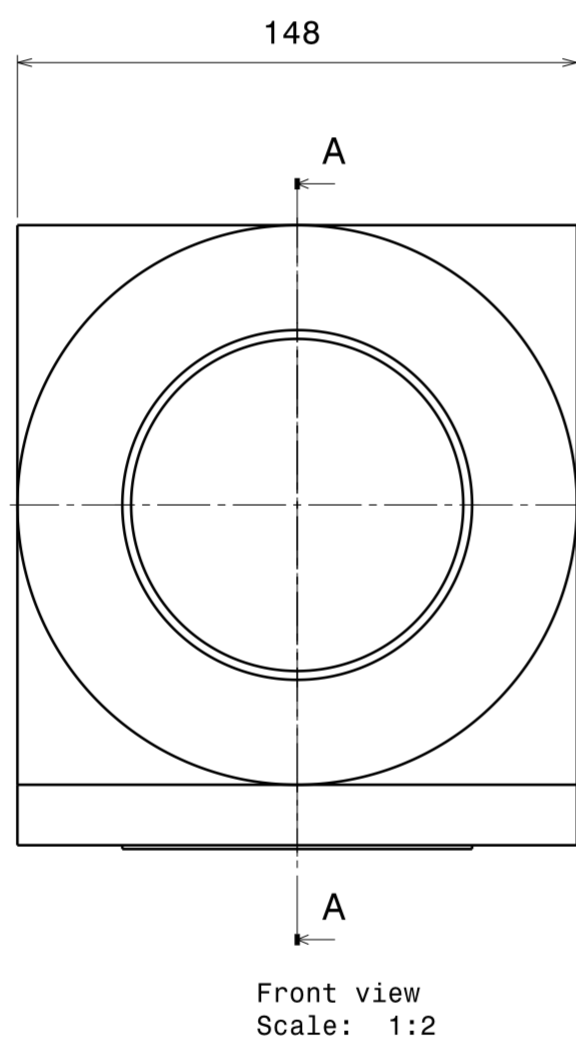
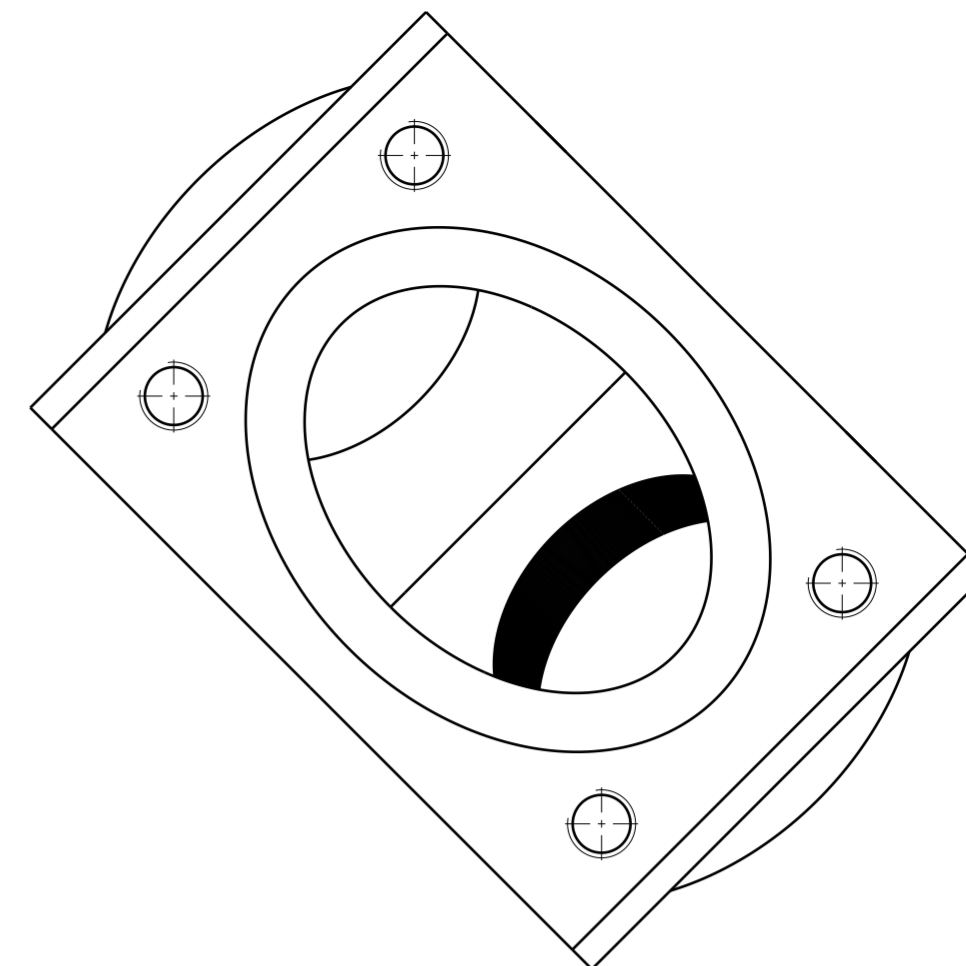




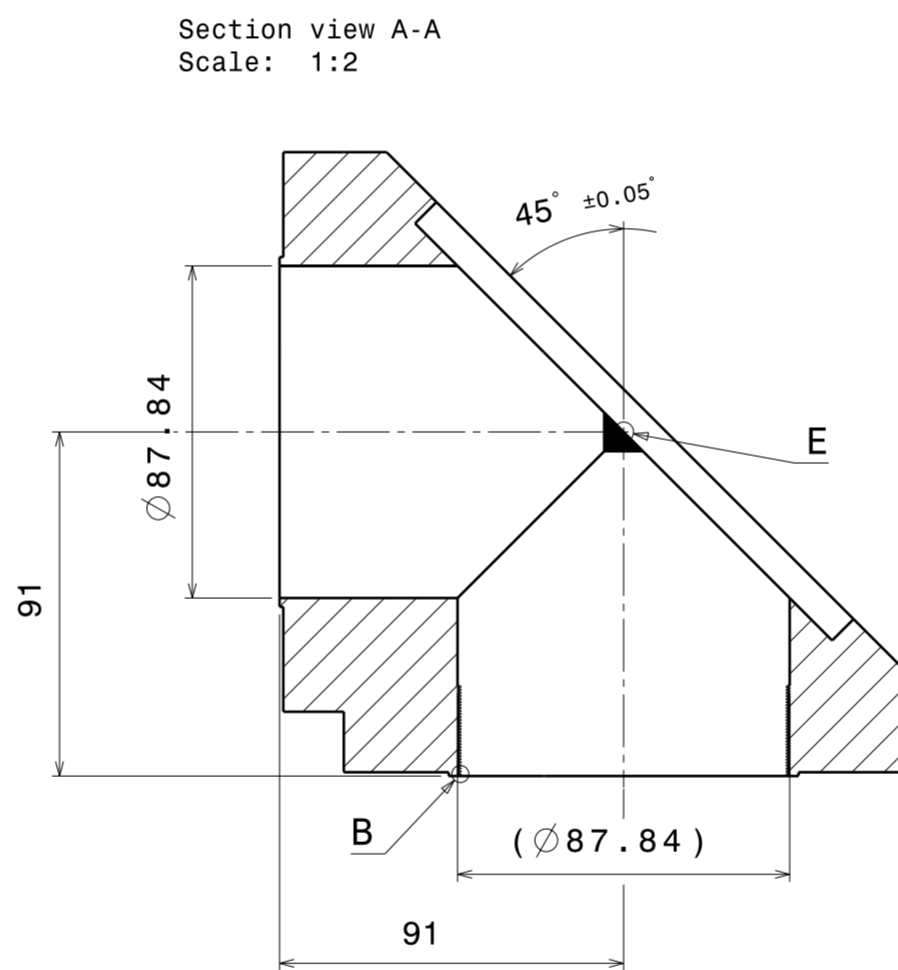




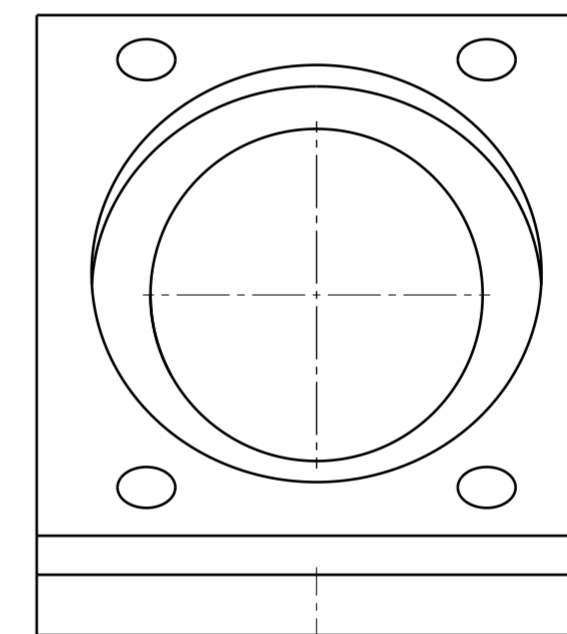
Isometric view
Scale: 1:2



Front view
Scale: 1:2

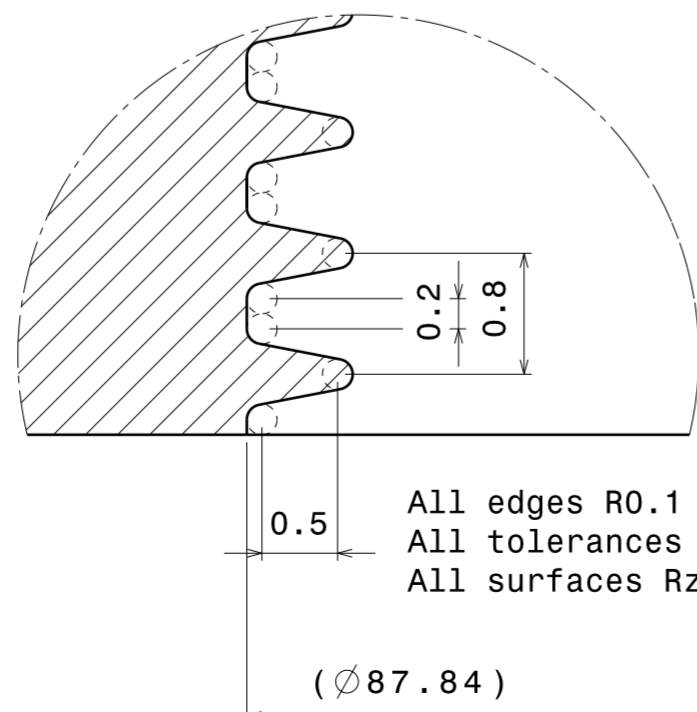


Section view A-A
Scale: 1:2

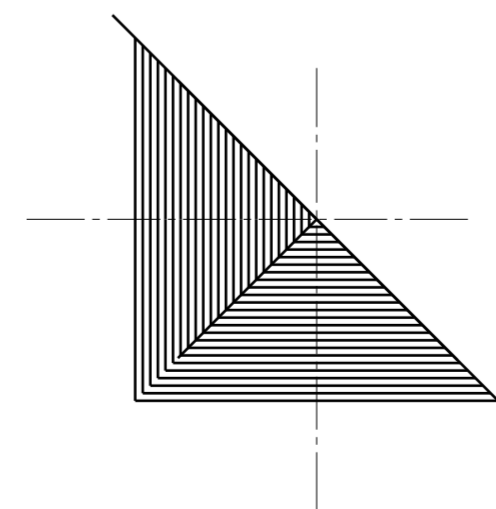


Auxiliary view C
Scale: 1:2

Detail B
Scale: 20:1



All edges R0.1
All tolerances ±0.02
All surfaces Rz 4



Detail E