

# Atkins Nedtech makes engineering work

Atkins Nedtech optimized the concept for the Remote Handling Tooling of the Port Plugs in the Hot Cell.

## Atkins Capabilities

Atkins Nedtech is part of Atkins Plc. (18000 employees). We have access to a variety of capabilities such as Atkins Nuclear.

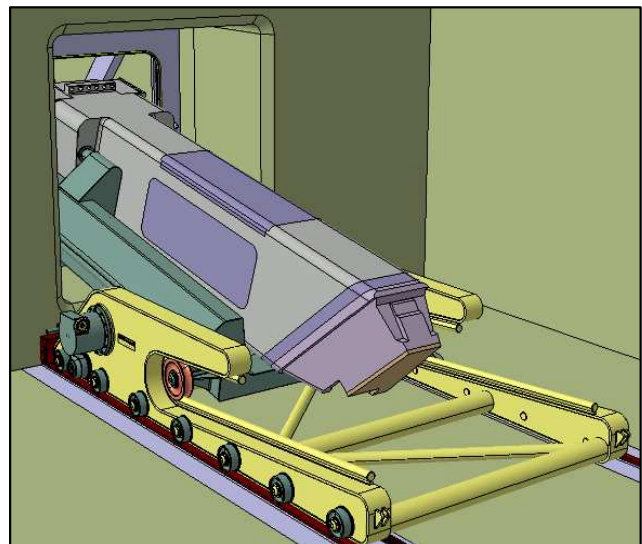
Atkins Nedtech is specialized in structural and mechanical engineering for large and complex international projects.

Our main tools are CATIA V5 and Patran Nastran.

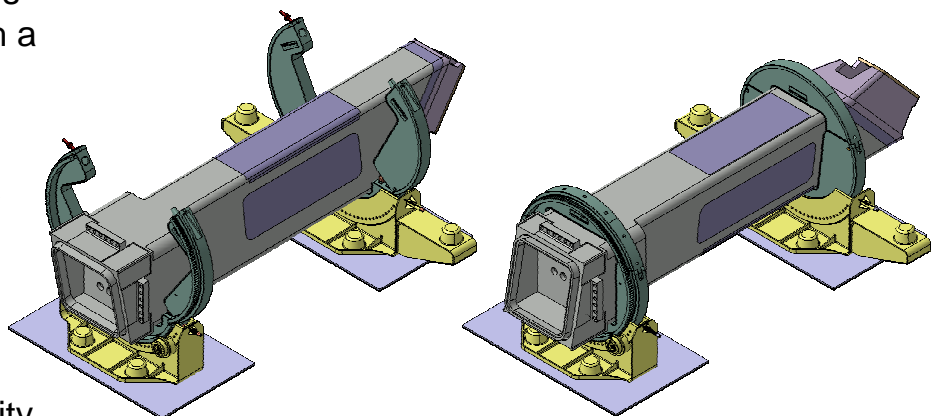
## Atkins Nedtech and ITER Remote Handling

The team applied brainstorm sessions, morphological overviews and trade-studies to come up with a simple and reliable design for a device accepting the Upper Port Plug in the Hot Cell (UPPAcD). A separate device is designed for rotating the Upper Port Plug for maintenance access (UPPRoD).

Key features: optimal access to UPP, standard interfaces, simplicity, reliability and the possibility to handle multiple UPP's in the Hot Cell.



*Acceptance of the Upper Port Plug in the UPPAcD*



*Maintenance of the Upper Port Plug in the UPPRoD*